

Operation

- Turn the knob clockwise to increase brightness.
- Turn the knob anticlockwise to decrease brightness.
- **Over-temperature protection:** If the dimmer gets too hot (due to overloading or insufficient de-rating), the lamp brightness is automatically reduced. After the dimmer cools down, normal operation is automatically resumed. Be sure to correct the cause of the high temperature!

Technical characteristics

- Supply Voltage: 230-240V a.c. 50Hz
- Operating Temperature: 0°C to 50°C
- Terminal Capacity: 2 x 1.5mm²

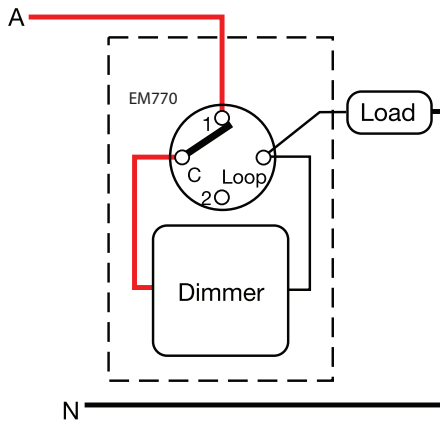
Load Type		Minimum Load	Maximum Load		
			EM250TR	EM400TR	EM700TR
Dimmable LED Lamps	• DLI70 Downlights	1 Lamp	11 Lamps	16 Lamps	28 Lamps
	• AZA+, DLI90, DLI110, DLI125 & DLI150 Downlights • R80 Dimmable Globe	1 Lamp	8 Lamps	12 Lamps	21 Lamps
	• DLS, Dalia, Azalea & Freesia Downlights • Luna Panel Lights • Calla Step Lights • Zinnia Starlights	1 Lamp	5 Lamps	8 Lamps	14 Lamps
	• All other models (See Note1)	1 Lamp	5 Lamps or 250VA (whichever is smaller)	8 Lamps or 400VA (whichever is smaller)	14 Lamps or 700VA (whichever is smaller)
<ul style="list-style-type: none"> • Incandescent Lamps • Halogen Lamps • Electronic Transformers 		10VA	250VA	400VA	700VA
<ul style="list-style-type: none"> • Fluorescent Lamps • Wirewound Transformers • Fan Motors 		Not suitable			

Notes:

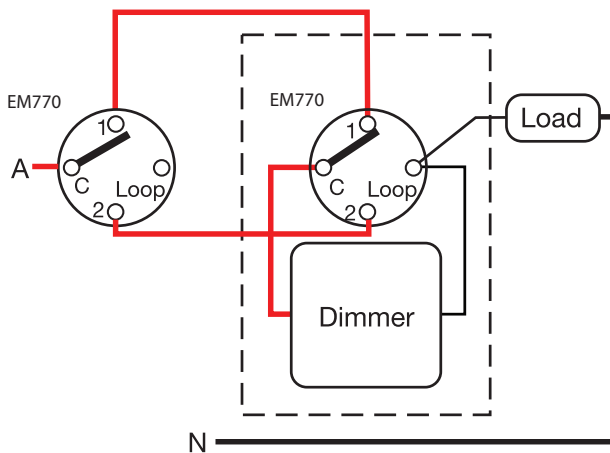
1. Not compatible with all dimmable LEDs. Bench test prior to installation. Dimming range may be reduced with some models.
2. When multiple dimmers are installed on the same switch plate, each dimmer must be de-rated by 10% for each additional dimmer.
3. When used in ambient temperatures greater than 25°C, the dimmer must be de-rated by 10% for every increase of 5°C.

WARNING - DO NOT MEGGER THIS PRODUCT

Wiring



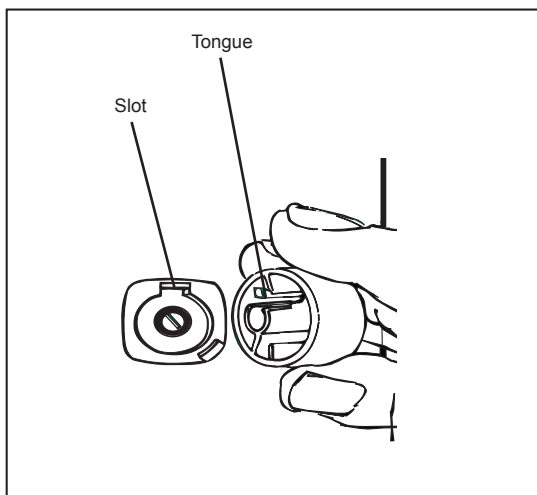
One-way wiring diagram



Two-way wiring diagram

Setting minimum brightness

- The minimum brightness can be set before the knob is put into place.
- When the unit is wired and mounted as required, switch on the power.
- Turn the potentiometer carefully by hand until the desired minimum brightness is obtained.
- Insert the knob so that the "tongue" on the knob lines up with the slot on the dimmer.
- Once inserted, the knob cannot be turned any further anticlockwise.



LE11036AB

Important Information

- This product must be installed and used as per these instructions.
- This product must be installed by a licensed electrician or similarly qualified person.
- V90-rated building wire must be used when wiring this product.
- This product must only be used with the loads specified. Other load types should only be used when written confirmation is given by Legrand.
- This product has been designed to filter out interference from off-peak electricity signalling. The level of such signalling will vary from installation to installation and interference is still possible in rare cases.
- Severe electromagnetic interference from other products may cause malfunction of this product.
- This product should only be cleaned with a damp cloth. Cleaning agents and solvents should not be used.
- This product contains no serviceable parts and no attempt should be made to repair this product. If the product is faulty it should be discarded.
- Legrand reserves the right to modify the specifications of this product at any time.

Warranty

Legrand will honour all statutory guarantees that you as a consumer are entitled to rely upon under the Australian Consumer Law against a manufacturer including a guarantee that any products Legrand has manufactured or imported are of acceptable quality.

To make a claim under any statutory guarantee (or other warranty) you should first contact the supplier, contractor or retailer from whom you purchased the products.

Customer Service

For all Customer Service and Technical Support please call Monday to Friday during business hours.

Legrand Australia
1300 369 777
www.legrand.com.au

Legrand New Zealand
0800 476 009
www.legrand.co.nz

ABN: 31 000 102 661

LEG2058

08/2019